

DST Series

Mid-Range, Pump Control Ultrasonic Level Sensors

Datasheet

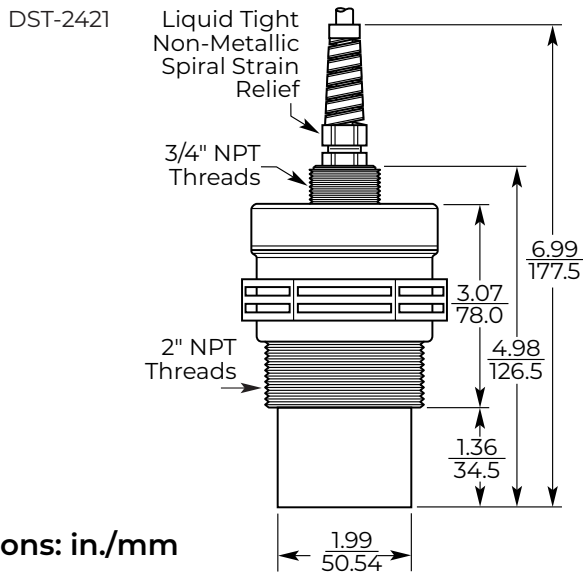


The DST series ultrasonic sensors are designed to be used in conjunction with a DCR controller to give you a simplified, stand-alone system. The transmit and receive circuit is built into the sensor and digitally communicates the detected distance to the DCR controller. This allows the sensor to be separated from the DCR controller by up to 2000 feet with no signal loss. With several sensors to choose from, there are plenty of options for your application needs.

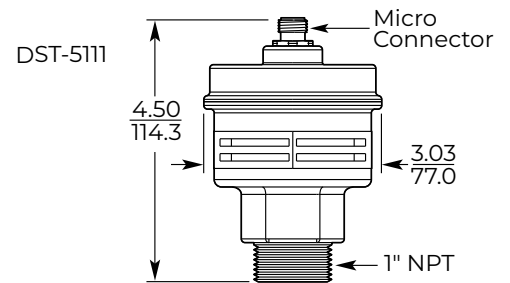
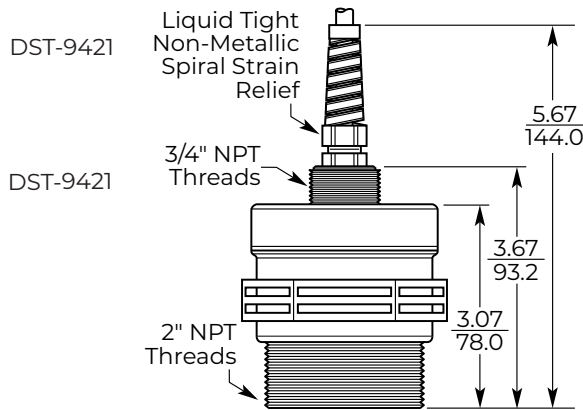
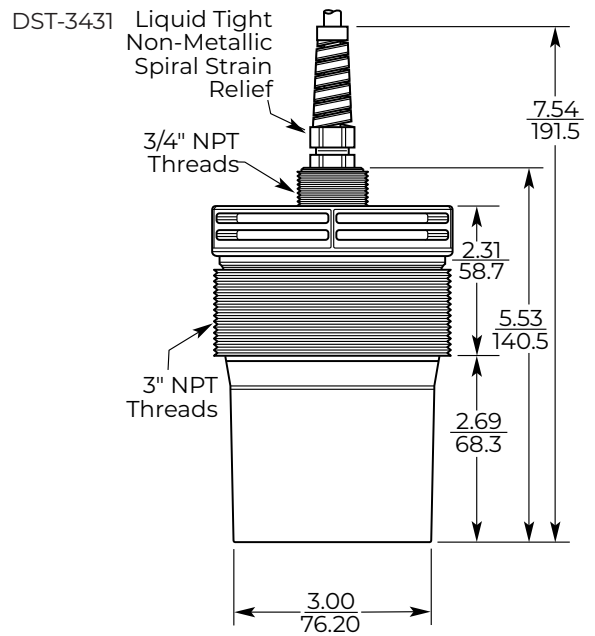
Features

- AutoSense software provides hassle-free setup
- Internal Temperature Compensation
- Controller and sensor can be separated up to 2000 ft. (650 m)

DST SPECIFICATIONS



Dimensions: in./mm



SPECIFICATIONS

Performance

Beam Pattern	Beam Pattern: 9° off axis
Internal Temperature Compensation	Yes
Accuracy	±0.25% of detected range

Connectivity

Output	DCR Controller
--------	----------------

Physical

PC/PET Blend Body	IP67 / IP68
Electrostatic Transducer	DST-2421, 3431, 5111, 9421
Ceramic Transducer	DST-2421, 3431, 5111

Electrical

Wiring Connection	2 conductor shielded cable Coaxial cable (requires DCR-1006A with F connection)
-------------------	--

Programming

Interface with DCR Controller via APG Modbus Software
User selected units of measure

Environmental

Ratings	NEMA 6P NEMA 12 IP65
Operating Temperature	-22° to 140°F (-30° to 60°C)

DST COMMON MODEL CONFIGURATIONS

All models require DCR-1006A

Model Number	Model Description
DST-2421-C10	1-25 ft. range , Ceramic Transducer, 2" NPT, PC/PET Body, 10 ft. cable
DST-2421-M	1-25 ft. range , Ceramic Transducer, 2" NPT, PC/PET Body, M12 micro-connector
DST-3431-C10	1.25-50 ft. range , Ceramic Transducer, 3" NPT, PC/PET Body, 10 ft. cable
DST-3431-M	1.25-50 ft. range , Ceramic Transducer, 3" NPT, PC/PET Body, M12 micro-connector

DST ACCESSORIES

Please order separately, by part number.

Description	Part Number
4 Conductor over-molded extension cable with foil shield	
Straight, 2 m	135407-0002
Right Angle, 2 m	135407-1002
Straight, 5 m	135407-0005
Right Angle, 5 m	135407-1005
Order 1 controller per sensor	
DCR-1006A	125791
DCR-1006A-F	125791-0003



Automation Products Group, Inc.
Tel: 1 (888) 525-7300 or 1 (435) 753-7300

e-mail: sales@apgsensors.com
www.apgsensors.com

Automation Products Group, Inc.
1025 W. 1700 N.
Logan, UT 84321